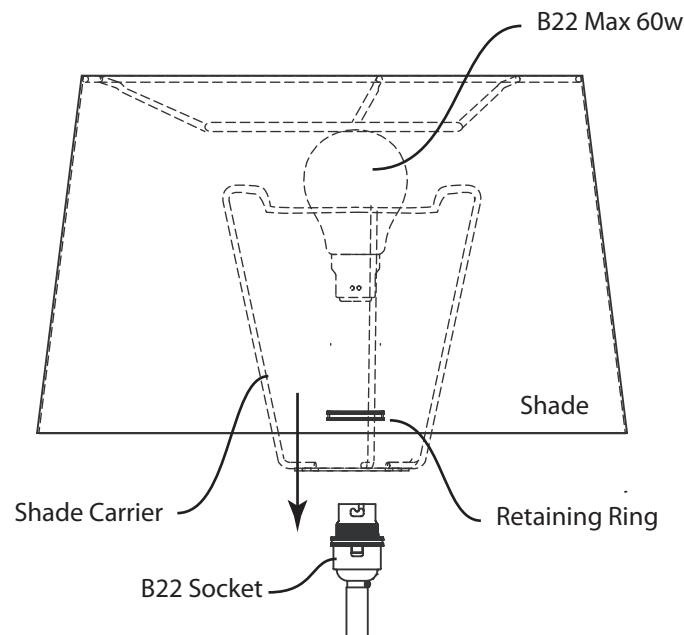


ROCHAMP

by
Interiors 1900

Assembly Instructions

Brass Floor Lamps -
ABY76AB, ABY138AB



For your convenience your floor lamp comes fully assembled. Please take care when moving the lamp to not damage or put unnecessary force on the flexible cord.

1. The floor lamp is heavy. Take care during adjustment or maintenance.
2. Remove the shade retaining ring and place the shade carrier over the bulb holder. Secure with the shade retaining ring. (If your shade has an integrated carrier you can attach the shade directly in a similar manner.) Place your shade onto the shade carrier.
3. Use a B22 bulb of the correct wattage to a maximum of 60W.
4. Plug the lamp into a wall socket, taking care not to put any unnecessary strain on the cable and ensuring the cable does not cause a trip hazard.

It is advisable to remove the shade from the base when moving the lamp.

If the external flexible cable or cord of this Luminaire is damaged it should be exclusively replaced by the manufacturer or his service agent or a similar qualified person.

